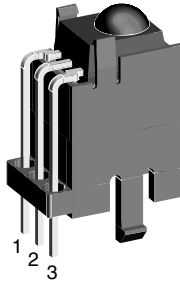
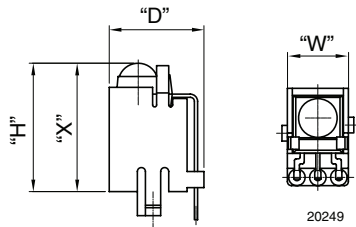


# IR Receiver Modules for Remote Control Systems



16666



20249

**FEATURES**

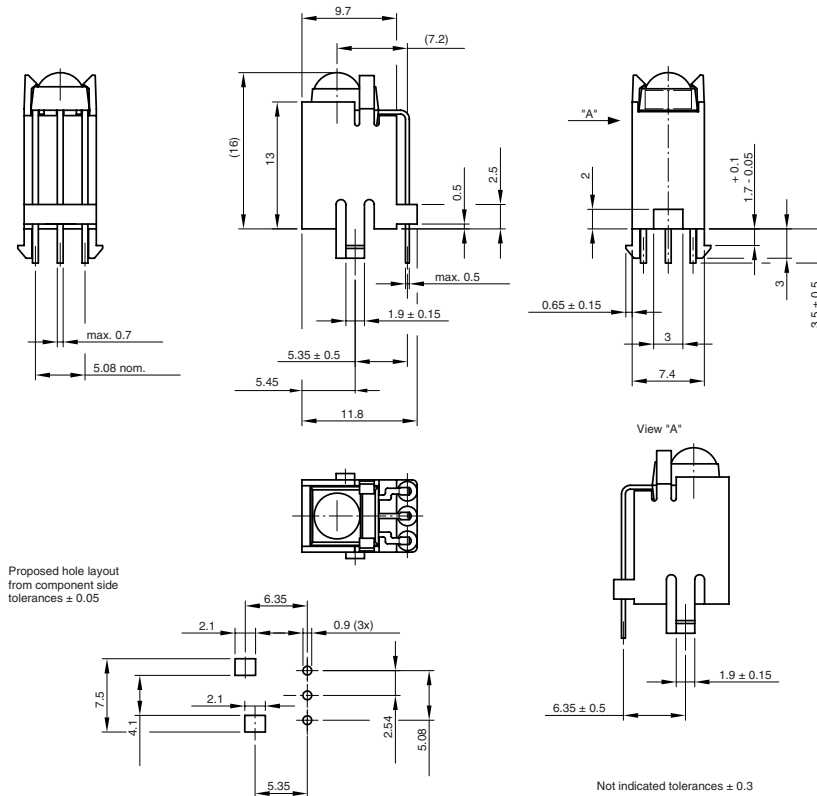
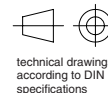
- Compliant to RoHS directive 2002/95/EC and in accordance to WEEE 2002/96/EC


**RoHS**  
COMPLIANT

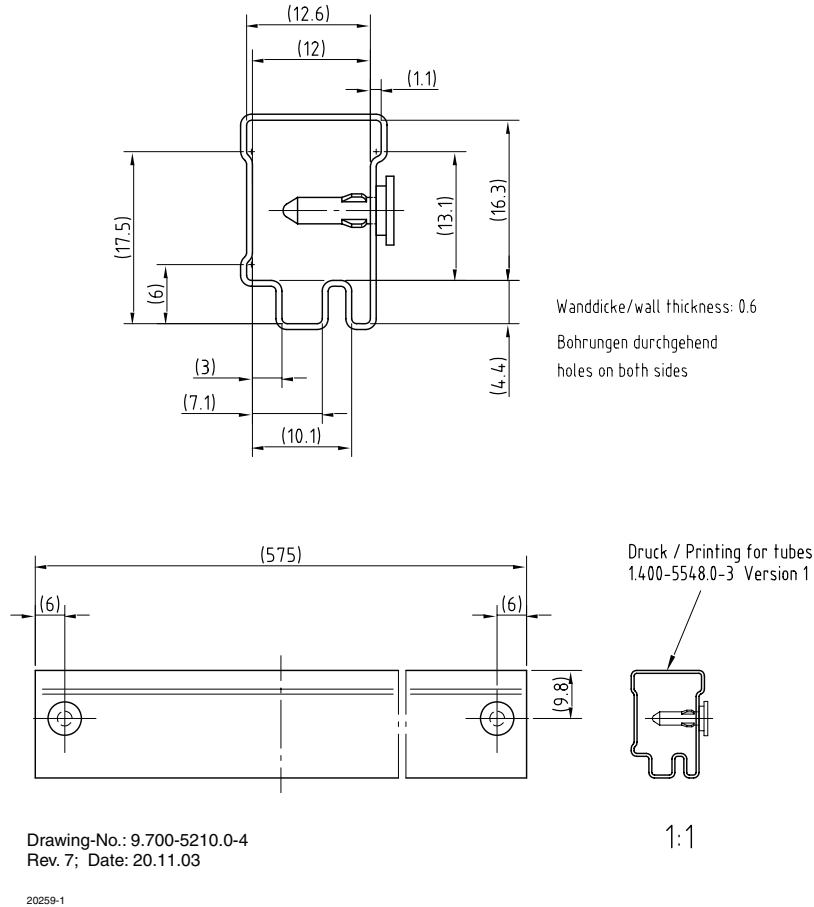
**AVAILABLE FOR:**

- TSOP34...
- TSOP4....
- TSOP32...
- TSOP2....

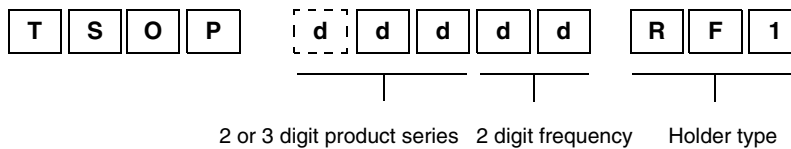
| NAME | LENS AXIS (X) | VIEW | TYPE   | HEIGHT (H) | WIDTH (W) | DEPTH (D) |
|------|---------------|------|--------|------------|-----------|-----------|
| RF1  | 16            | Top  | Holder | 16         | 7.4       | 11.8      |

**MECHANICAL DIMENSIONS** in millimeters

 Drawing-No.: 6.550-5191.01-4  
 Issue: 4; 04.08.09  
 16795

 technical drawings  
 according to DIN  
 specifications

**PACKAGING DIMENSIONS** in millimeters



**ORDERING INFORMATION**



**Note**

d = "digit", please consult the list of available series on the previous page to create a valid part number.

**Example: TSOP14838RF1**

**PACKING QUANTITY**

- 68 pieces per tube
- 30 tubes per carton